

## REAR TIPPING (LIFT) TRAILER

## WITH VIBRATING DISCHARGE

Patented

- ◆ No damages to the grapes
- ◆ Perfectly controlled discharge
- ◆ Draining Juices (machine harvested grapes)
- ◆ Variable Output thanks to Tipping
- ◆ Fast and Easy Cleaning



*To feed a destemmer, directly a press or a sorting table without damaging the grapes*

This patented system is dedicated to winemakers who required the very best quality and organization of their crushing process.

# Discharging & Uses



Discharging → Destemmer



Discharging → Press

Discharging → Destemmer ↓



Discharging → Destemmer



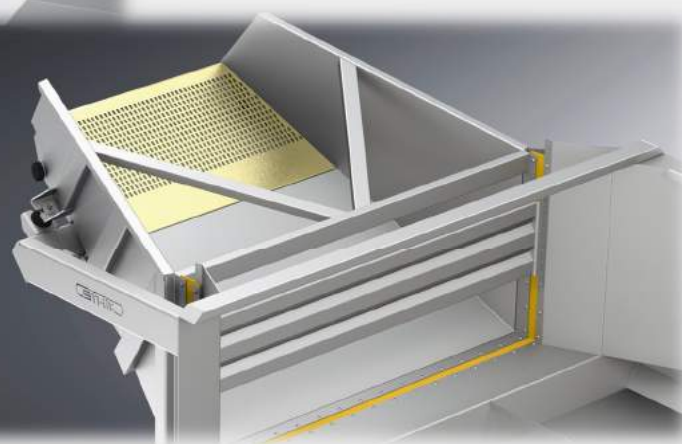
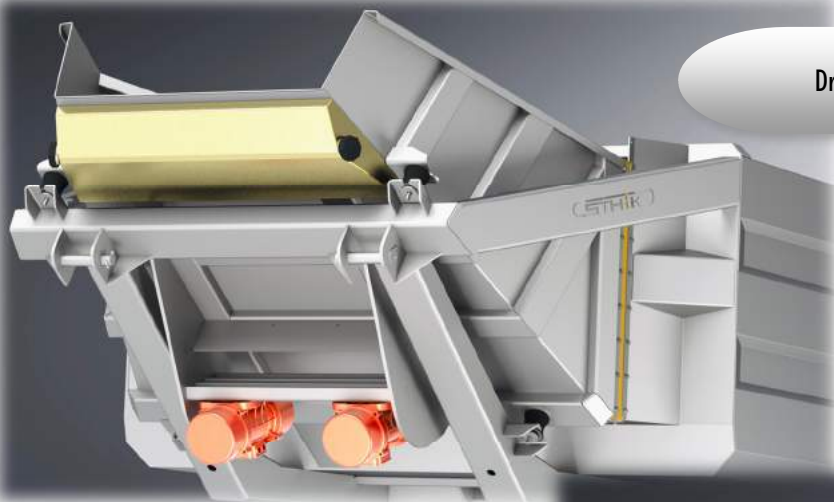


Discharging → Sorting Table

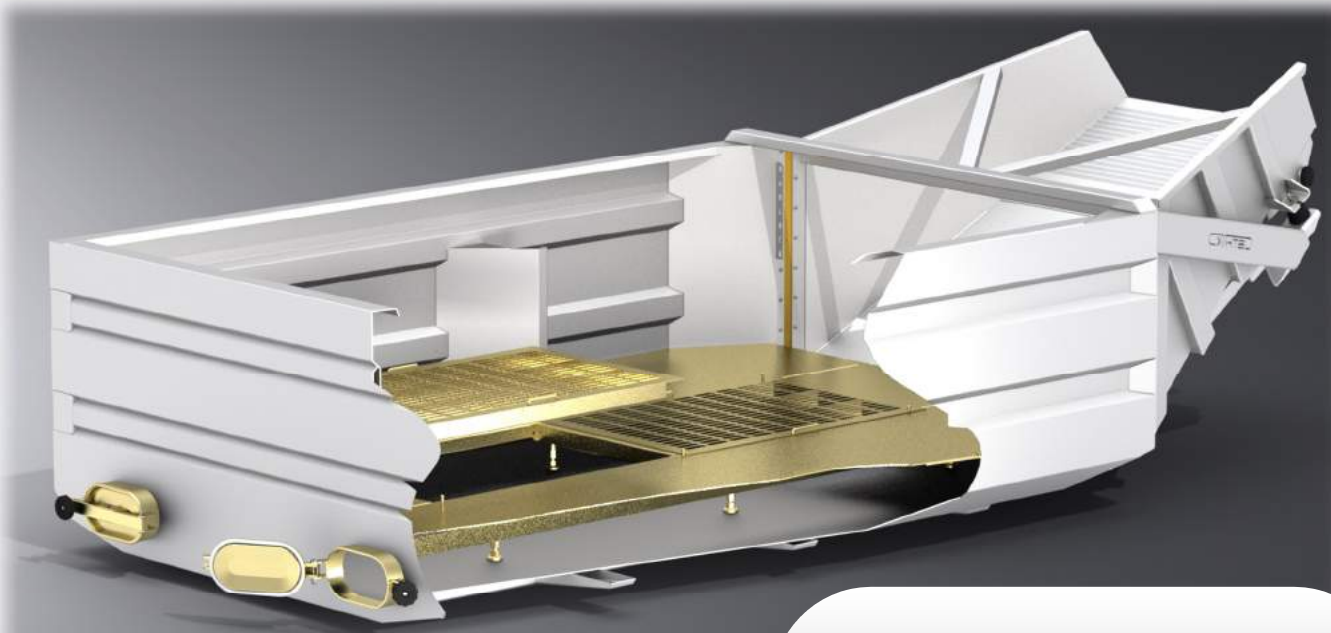


**Original Equipment : Draining Juice Grid**

Draining Juices (machine harvested grapes)



# Main Options



**Draining & Storage Juice Tray**  
*Avoid Oxidation & Maceration of the juice during transportation.  
Stabilize the harvest in the bin*



Food Grade Cover ↑



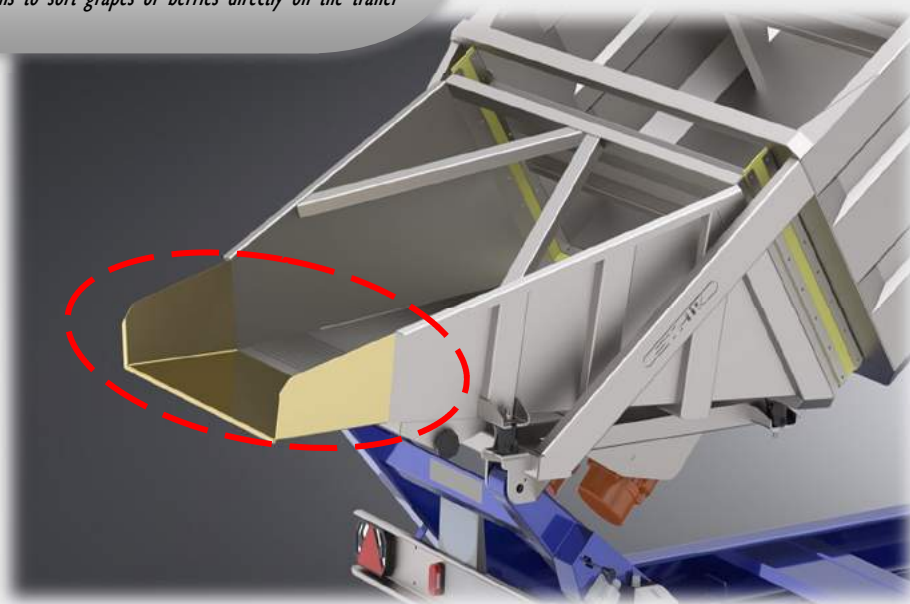
Hydraulic Stainless Steel Lid →





### Longer Vibrating Discharging Spout

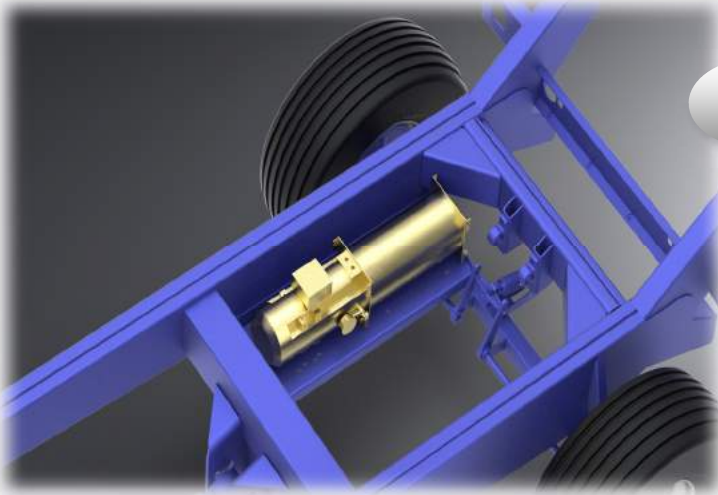
*The Longer Vibrating Spout allows for 2 persons to sort grapes or berries directly on the trailer*



### 100% Folding Sorting tables with Worker Secured Position



# Hydraulic Power Packs



Internal Power Packs

External Power Packs



To be used with several trailers

Available in Hydraulic version (n°3) always with motor functioning or in Electro-Hydraulic version (n°4 o 5) with motor only running when the power pack is needed

Only for tipping (n°3 or 4) or with option Dual Lever (control) for tipping and Lifting (n°5)



Dual Control : Tipping and lifting are controlled from the trailer



Dual Hydraulic Circuit for tipping bin with Power Pack or tractor



# "AirTecWine" & "AirTecMax"

New Technology of Pneumatic Auto-Adjustable Suspension to protect harvest during transportation  
(award SITEVI)

## "AirTecWine" DRAWBAR FRONT PNEUMATIC SUSPENSION



Standard tyres replacement ->  
Low Pressure Tyres



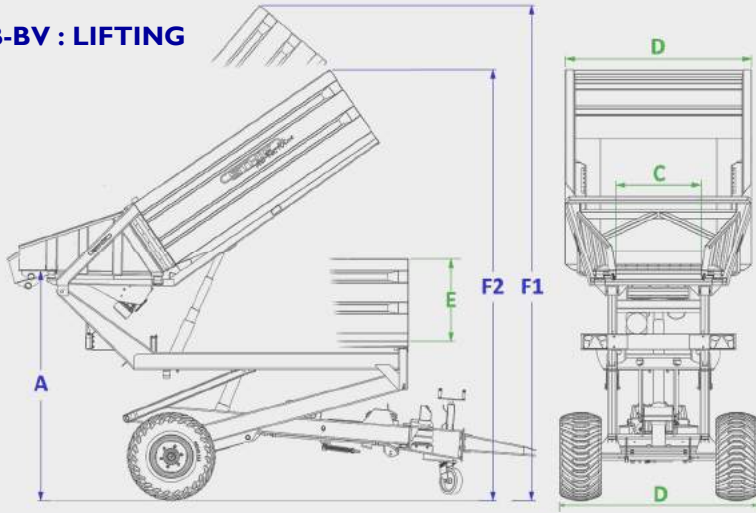
## "AirTecMax" DRAWBAR FRONT AND AXLE REAR PNEUMATIC SUSPENSION



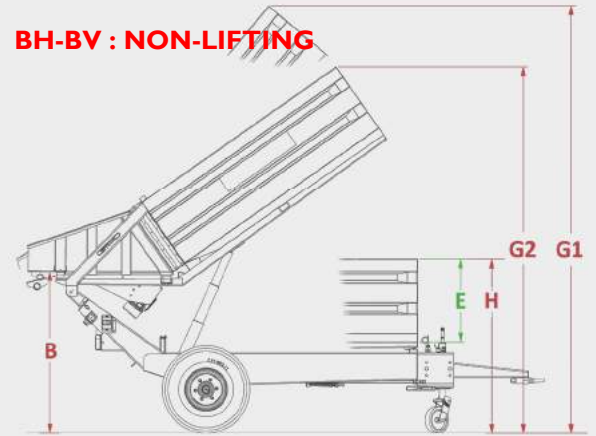
Standard tyres replacement ->  
Low Pressure Tyres



**SB-BV : LIFTING**



**BH-BV : NON-LIFTING**



Bin+Vibrating Spout CAPACITIES		22 HL	28 HL	38 HL	38 HL Low	49 HL	60 HL	75 HL	100 HL
Average Unloading Heights (cm)		SB 220 BV	SB 230 BV	SB 240 BV	~	SB 250 BV	~	SB 275 BV	SB 1000 BV
	A	140 ↔ 200	145 ↔ 225	158 ↔ 235		168 ↔ 250		197 ↔ 270	Consult with Sthik
		BH 20 BV	BH 30 BV	BH 40 BV	BHB 40 BV	BH 50 BV	BH 60 BV	BH 75 BV	BH 100 BV Tandem
	B	140	145	154	151	168	168	180	Consult with Sthik
Discharging Heights can be Increased with Chassis Spacers									
Loading Height	H	153	159	SB-BV : 169 BH-BV : 165	152	SB-BV : 187 BH-BV : 181	189	214	245 Consult with Sthik
Discharge Opening Width	C	75	75	80	80	90	90	90	147
Trailer & Bin Width	D	130	150	180	180	200	200	220	245
Bin Depth	E	70	77	80	72	85	89	95	125
Trailer Length		408	446	473	495	522	573	625	Consult with Sthik
Maximum Bin Heights (Discharging Spout Horizontal y max)	F2 ↔ F1	378 ↔ 421	415 ↔ 468	433 ↔ 507	~	463 ↔ 528	493 ↔ 566	510 ↔ 553	Consult with Sthik
	G2 ↔ G1	319 ↔ 362	342 ↔ 395	352 ↔ 426	~	381 ↔ 445	409 ↔ 484	410 ↔ 453	Consult with Sthik
O.E.I. Tyres		10.0/75 R15.3 760 x 274 5,2 bars	10.0/75 R15.3 760 x 274 5,2 bars	11.5/80 R15.3 844 x 297 4,75 bars	340/55 R16 780 x 345 4 bars	12.5/80 R15.3 885 x 312 5,8 bars	12.5/80 R15.3 885 x 312 5,8 bars	400/60 R22.5 1070 x 400 4,3 bars	Consult with Sthik
Tyres (Spacer BH-BV)		11.5/80 R15.3 844 x 297 4,75 bars	11.5/80 R15.3 844 x 297 4,75 bars	12.5/80 R15.3 885 x 312 5,8 bars	~	13.5/75-430.9 960 x 360 5,5 bars	13.5/75-430.9 960 x 360 5,5 bars	Consult with Sthik	Consult with Sthik
Low Pressure Tyres (included with Air Tec Wine) (Increase in the width of the trailer possible)		~	340/55 R16 780 x 345 4 bars	400/60 R15.5 875 x 405 3,6 bars	340/55 R16 780 x 345 4 bars	400/60 R15.5 875 x 405 3,6 bars	400/60 R15.5 875 x 405 3,6 bars	500/50 R22.5 1070 x 500 4,1 bars	~
40 km/h Tyres		~	~	~	~	400/60 R15.5 875 x 405 3,6 bars	480/45R17 860 x 480 4 bars	500/50 R22.5 1070 x 500 4,1 bars	~