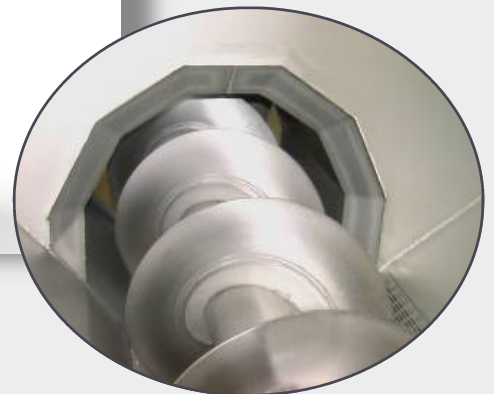


## (LIFT) TRAILER WITH 300/400MM SCREW

## AND CONICAL SPOUT FOR GENTLER DISCHARGE



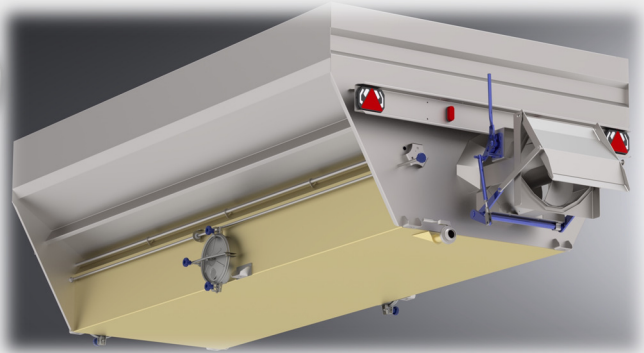
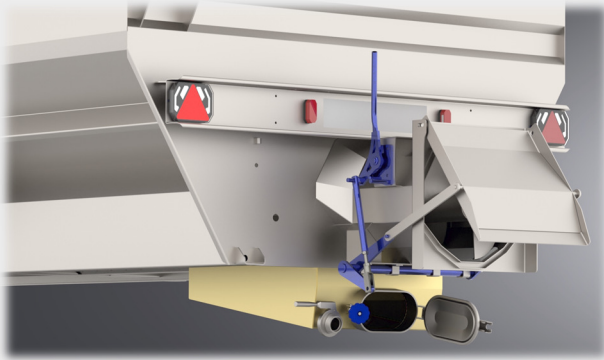
- ◆ Asymmetrical Bin
- ◆ Gentle Discharging Spout
- ◆ STHIK Lift Chassis



# MAIN OPTIONS

## Draining Juice Grid

*Separation of Juices during at the Crush Pad*



## ↑ Draining & Storage Juice Tray

*Separation of Juices during Transport*

## CO2 Protection



## Front/Rear Height Extensions



## Hydraulic Stainless Steel Lid

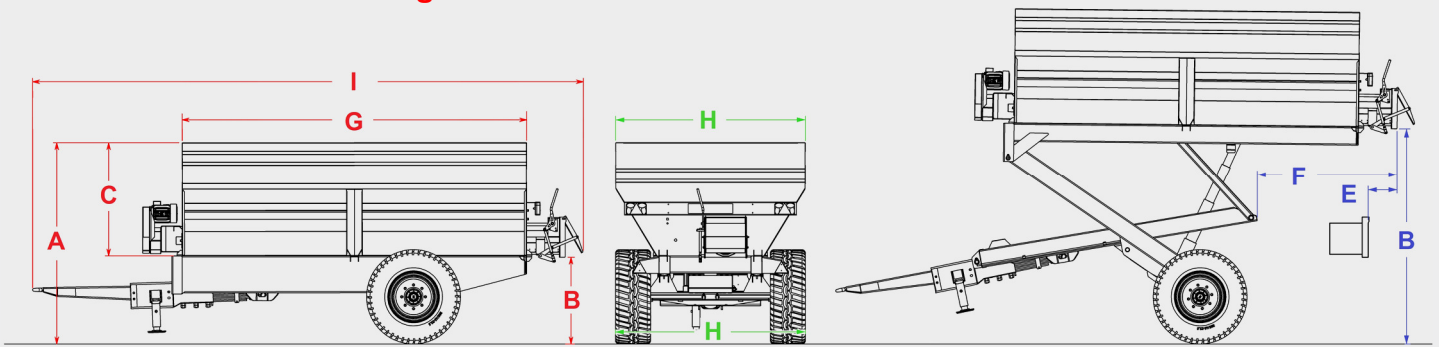


## Food Grade Cover

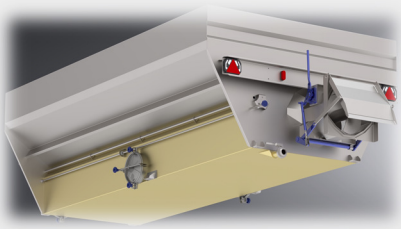


**V.O. : Non-Lifting**

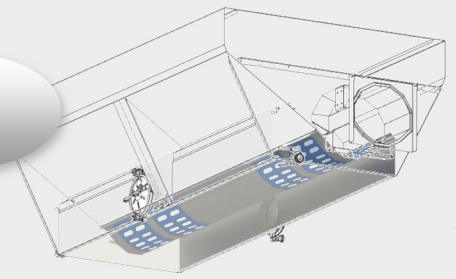
**E.V.O. : Lifting**


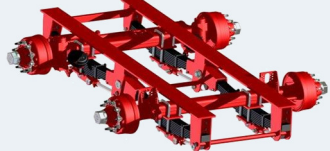


BIN CAPACITIES (→ 60 HL)		25 HL	30 HL	38 HL	45 HL	45 HL D. & S.J.T.	49 HL	59 HL	59 HL D. & S.J.T.
Chassis		2,5 T	3 T	4 T			6 T		
Screw Diameter (mm)		∅ 300				∅ 400			
Option : Screw Diameter		~	∅ 400			~	∅ 300		
Trailer Length	I	407	446	485			534		
Bin Dimensions	G x H	250 x 130	275 x 150	300 x 180			340 x 200		
Bin Depth	C	97	99	100	113	100	106	120	106
D.E.I. Tyres		10.0/75 R15.3 760 x 274 5,2 bars		11.5/80 R15.3 844 x 297 4,75 bars			12.5/80 R15.3 885 x 312 5,8 bars		
Stronger Tyres		~	11.5/80 R15.3 844 x 297 4,75 bars	12.5/80 R15.3 885 x 312 5,8 bars			13.5/75-430.9 960 x 360 5,5 bars		
Low Pressure Tyres <i>(Warning: possible increase in the width of the trailer)</i>		~	340/55 R16 780 x 345 4 bars	400/60 R15.5 875 x 400 3,6 bars			400/60 R15.5 875 x 400 3,6 bars		
E.V.O. : Lifting		EVO 2500	EVO 3000	EVO 4000 38 HL	EVO 4000 45 HL	EVO 4000 D. & S.J.T.	EVO 5000	EVO 6000	EVO 6000 D. & S.J.T.
Loading Height	A	155	166	177	189	183	189	207	200
Unloading heights	B 2	180	185	235		240	240	247	255
Option "Higher Unloading"	B 2	215	230	~			300	300	308
Spout offset	E	32	28	42			43	43	43
Total offset	F	58 ↔ 100	82 ↔ 123	69 ↔ 123			098 ↔ 150	098 ↔ 150	098 ↔ 150
Net Weight		800	980	1270	1330	1380	1650	1770	1790
V.O. : Non-Lifting		VO 25	VO 30	VO 40 38 HL	VO 40 45 HL	VO 40 D. & S.J.T.	VO 50	VO 60	VO 60 D. & S.J.T.
Loading Height	A	148	153	161	174	167	170	187	180
Unloading heights	B1	50	50	57	57	62	60	63	72
Net Weight		590	625	870	930	980	1080	1160	1180



**D. & S.J.T. = Draining & Storage Juice Tray**



BIN CAPACITIES (80 HL →)		80 HL	80 HL D. & S.J.T.	100 HL	100 HL D. & S.J.T.	120 HL	120 HL D. & S.J.T.	160 HL	160 HL D. & S.J.T.
Chassis		8 T		10 T		12 T Tandem		21 T Tandem	
		 <p>Sprung Drawbar Assemblies</p>							
Screw Diameter (mm)		∅ 400							
Trailer Length	I	620		629		706		824	
Bin Dimensions	G x H	400 x 220		400 x 243		500 x 243		600 x 243	
Bin Depth	C	130	117	149	Consult with Us	145	118	Consult with Us	131
O.E.I. Tyres		385/65 R22.5 1072 x 389 9 bars		560/45 R22.5 1085 x 545 4 bars		445/45 R19.5 895 x 446 10 bars		495/45 R22.5 1018 x 499 10 bars	
Low Pressure Tyres <i>(Warning: possible increase in the width of the trailer)</i>		400/60 R22.5 1020 x 400 4,3 bars		~		500/50 R17 932x503 5 bars		~	
E.V.O. : Lifting		EVO 8000	EVO 8000 D. & S.J.T.	EVO 10000	EVO 10000 D. & S.J.T.	~			
Loading Height	A	233	229	255	Consult with Us				
Unloading heights	B 2	252	262	273	Consult with Us				
Option "Higher Unloading"	B 2	~		~					
Spout offset	E	34		41					
Total offset	F	150 ↔ 190		N/A					
~		~							
Net Weight		1770	1790	2655	2720				
V.O. : Non-Lifting		VO 80	VO 80 D. & S.J.T.	VO 100	VO 100 D. & S.J.T.	VO 120	VO 120 D. & S.J.T.	VO 160	VO 160 D. & S.J.T.
Loading Height	A	207	204	216	Consult with Us	223	Consult with Us	Consult with Us	225
Loading Height with 445/45R19,5 tyres	A	199	196	~					
Unloading heights	Bl	75	85	80	Consult with Us	78	Consult with Us	Consult with Us	90
Net Weight (Kg)		1950	1970	2395	Consult with Us	3300	Consult with Us	Consult with Us	Consult with Us