

REAR TIPPING (LIFT) TRAILER

WITH CONTROLLED DISCHARGE



SB : Lifting & Tipping



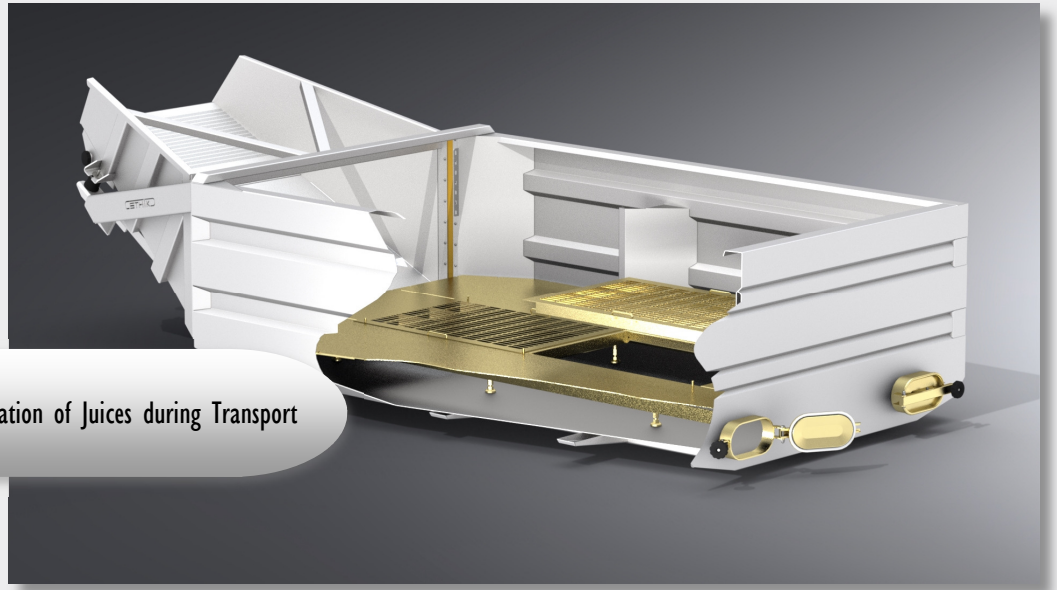
BH : Tipping



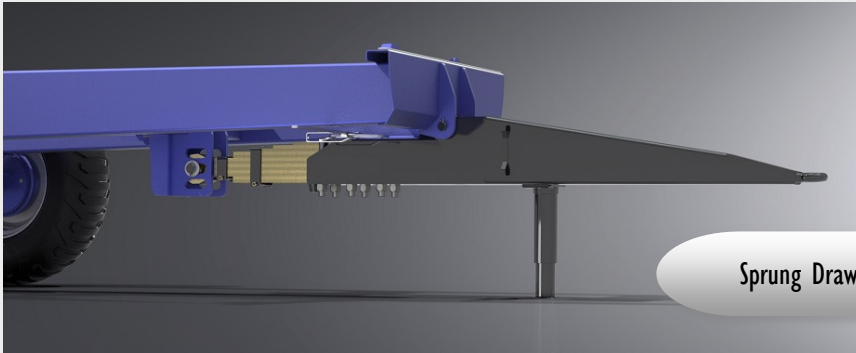
BH 120 Tandem



Main Options



Draining & Storage Juice Tray
Separation of Juices during Transport



Sprung Drawbar Assemblies (>50HL)

Others Options



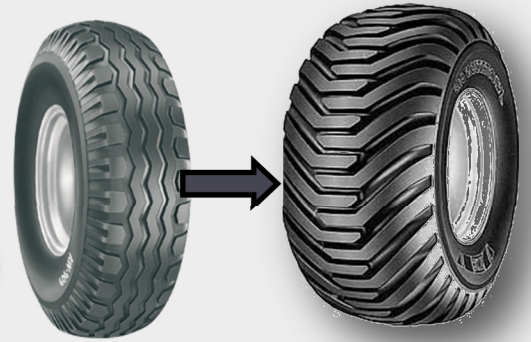
Food Grade Cover

Hydraulic Stainless Steel Lid and Automatic Door



AirTecWine: new Technology of Pneumatic Suspension to protect harvest during transportation (award SITEVI)

Standard tyres replacement ->
Low Pressure Tyres



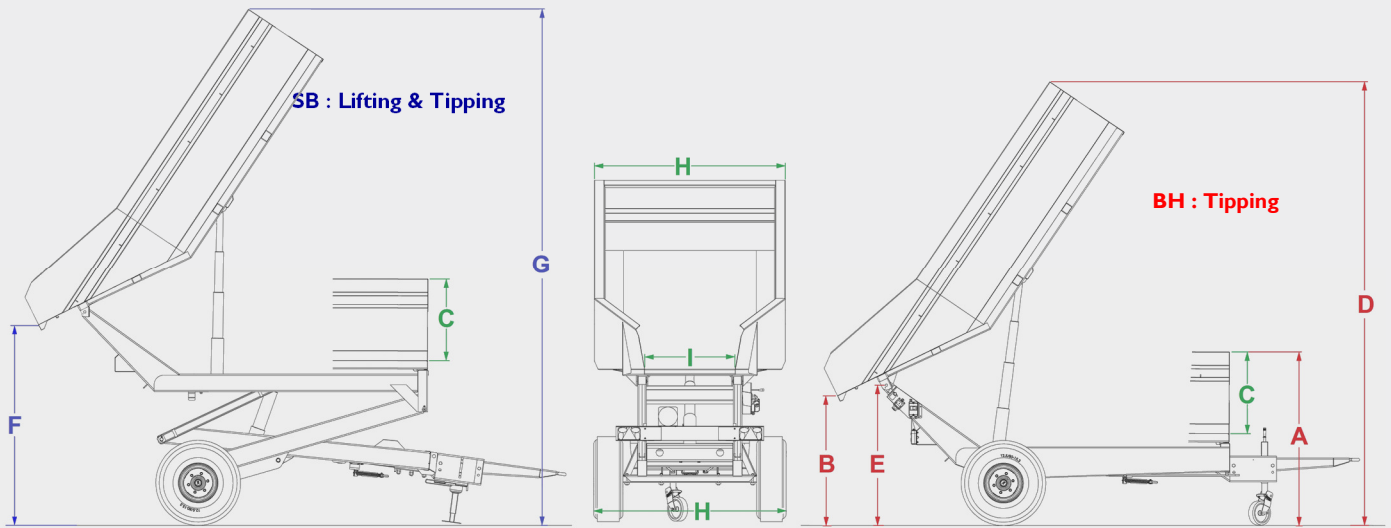
Mains Utilizations

BH + Vibrating Hopper



SB + Hight Loading Hopper





BIN CAPACITIES		24 HL	30 HL	40 HL	58 HL	80 HL	100 HL	120 HL Tandem
Narrow Spout : Total Control	I	60	70	75	95	~	~	~
Wide Conical Spout : Machine Harvest	I	~	~	130	140	150	170	~
Straight Spout : Manual Harvest	I	130	150	180	200	210	220	230
Trailer & Bin Width	H	130	150	180	200	220	235	244
Bin Depth	C	72	74	80	91	97	105	104
O.E.I. Tyres		10.0/75 R15.3 760 x 274 5,2 bars	10.0/75 R15.3 760 x 274 5,2 bars	11.5/80 R15.3 844 x 297 4,75 bars	12.5/80 R15.3 885 x 312 5,8 bars	385/65 R22.5 1072 x 389 9 bars	560/45 R22.5 1085 x 545 4 bars	445/45 R19.5 895 x 446 10 bars
Low Pressure Tyres (included with AirTecWine)		~	340/55 R16 780 x 345 4 bars	400/60 R15.5 875 x 400 3,6 bars		400/60 R22.5 1070 x 400 4,3 bars	Idem	500/50 R17 932 x 503 5 bars
Larger Tyres		11.5/80 R15.3 844 x 297 4,75 bars	11.5/80 R15.3 844 x 297 4,75 bars	12.5/80 R15.3 885 x 312 5,8 bars	13.5/75-430.9 960 x 360 5,5 bars	Idem	Idem	~
Low Pressure Tyres		~	~	~	400/55 R22.5 1020 x 400 4,3 bars	500/50 R22.5 1070 x 500 4,1 bars		
SB : Lifting & Tipping		SB 220	SB 230	SB 240	SB 260	SB 280	SB 1000	
Discharging Height	F	116 ↔ 230	119 ↔ 237	131 ↔ 270	130 ↔ 290	162 ↔ 290	174 ↔ 330	
Maximum Bin Height	G	496	524	555	620	686	757	
Loading Height		150	157	170	187	212	220	
BH : Tipping		BH 20	BH 30	BH 40	BH 60	BH 80	BH 100	BH 120
Discharging Height	B	116 (126)	116 (131)	128 (143)	125 (145)	157 (↔200)	168 (↔200)	175
Height of articulation point	E	121 (131)	125 (140)	136 (151)	147 (167)	171 (↔209)	174 (↔200)	183
Maximum Bin Height	D	382 (392)	403 (418)	413 (428)	465 (485)	555 (↔598)	592 (↔619)	671
Loading Height	A	150 (160)	154 (169)	167 (182)	187 (207)	209 (↔250)	218 (↔245)	223