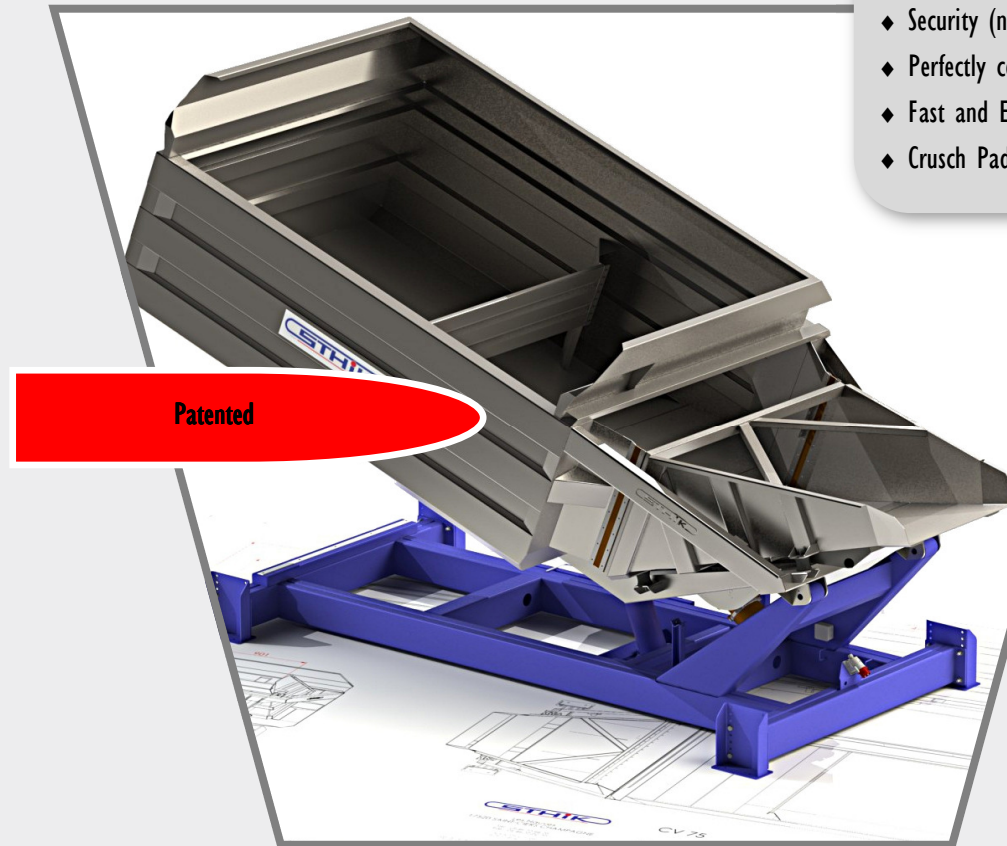


REAR TIPPING HOPPER

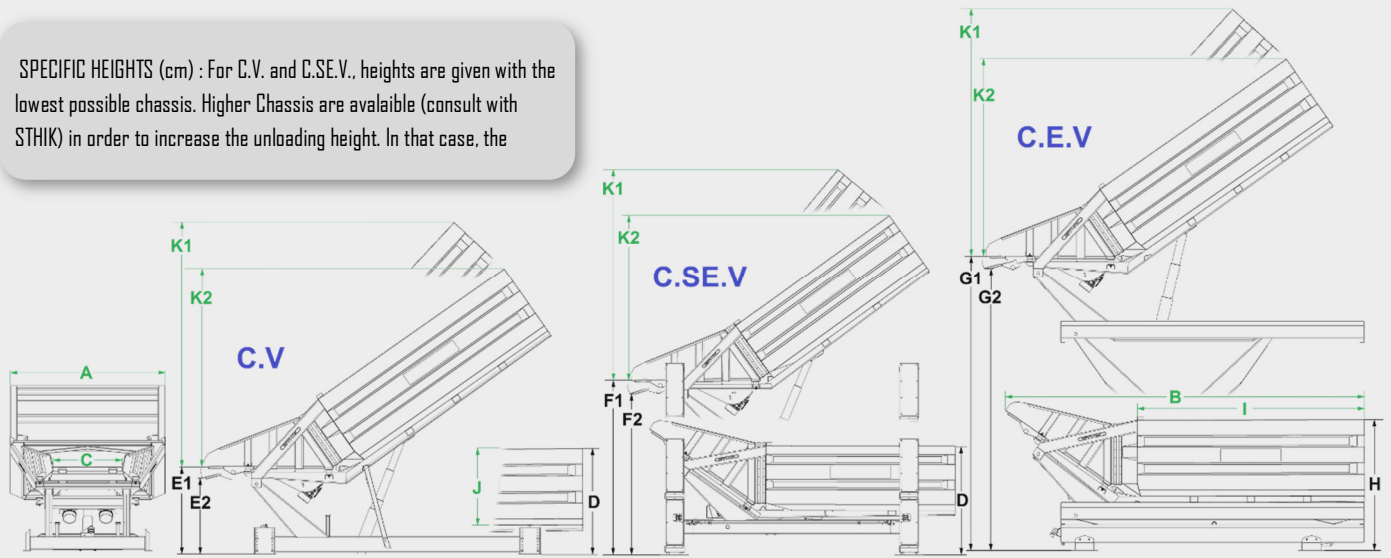
WITH VIBRATING DISCHARGE

- ◆ Remote Control
- ◆ No damages to the grapes
- ◆ Security (no Auger)
- ◆ Perfectly controlled discharge
- ◆ Fast and Easy Cleaning
- ◆ Crusch Pad over the ground

Patented

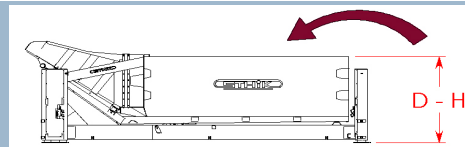


SPECIFIC HEIGHTS (cm) : For C.V. and C.SE.V., heights are given with the lowest possible chassis. Higher Chassis are available (consult with STHIK) in order to increase the unloading height. In that case, the



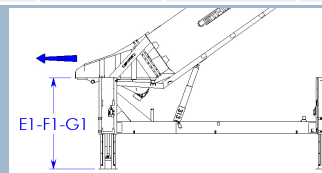
| C.V. - C.SE.V. - C.E.V. | | 30 | 40 | 50 | 60 | 75 | 100 | 150 | 165 |
|---------------------------------------|-------|-----------|-----------|-----------|-----------|-----------|-----------|-----------------|-----------------|
| BIN Capacities | | 24 HL | 32 HL | 42 HL | 53 HL | 68 HL | 94 HL | 137 HL | 150 HL |
| VIBRATING SPOUT Capacities | | 4 HL | 6 HL | 7 HL | 7 HL | 7 HL | 10 HL | 17 HL | 17 HL |
| Dimensions Bin | A x B | 150 x 348 | 180 x 366 | 200 x 405 | 200 x 455 | 220 x 474 | 245 x 520 | 280 (330) x 620 | 280 (330) x 690 |
| Discharge Opening Width | C | 75 | 80 | 90 | 90 | 90 | 114 | 130 | 130 |
| Bin Depth | J | 77 | 80 | 85 | 89 | 90 | 120 | 125 | 125 |
| Discharging Width | I | 200 | 229 | 250 | 300 | 300 | 315 | 368 | 475 |
| Difference (Max Height - Discharging) | K1-K2 | 243 ↔ 187 | 255 ↔ 196 | 282 ↔ 213 | 319 ↔ 245 | 336 ↔ 261 | 378 ↔ 297 | 588 ↔ 534 | 670 ↔ 553 |

Loading Heights (Min)



| | | | | | | | | | |
|------------------------------|---|-----|-----|-----|-----|-----|-----------------|-----------------|-----|
| C.V. | D | 115 | 118 | 121 | 127 | 144 | 165 | 209 | 250 |
| C.SE.V. | D | 115 | 118 | 121 | 127 | 144 | 165 | 209 | ~ |
| C.V. with Side Extensions | D | ~ | ~ | ~ | 150 | 170 | ~ | ~ | ~ |
| C.SE.V. with Side Extensions | D | ~ | ~ | ~ | 150 | 170 | ~ | ~ | ~ |
| C.E.V. | H | ~ | ~ | 141 | 145 | 202 | Consult with Us | Consult with Us | ~ |

Discharging Heights



| | | | | | | | | | |
|------------------------|----|----------|----------|-----------|-----------|-----------|-----------------|-----------|-----|
| C.V. : | E1 | 89 | 97 | 100 | 100 | 115 | 133 | 164 | 212 |
| C.SE.V. : Lift 700 mm | F1 | 89 ↔ 159 | 97 ↔ 167 | 100 ↔ 170 | 100 ↔ 170 | 115 ↔ 185 | ~ | ~ | ~ |
| C.SE.V. : Lift 1000 mm | F1 | 89 ↔ 189 | 97 ↔ 197 | 100 ↔ 200 | 100 ↔ 200 | 115 ↔ 215 | 133 ↔ 233 | 164 ↔ 264 | ~ |
| C.E.V. | G1 | ~ | ~ | 128 ↔ 350 | 132 ↔ 350 | 182 ↔ 417 | Consult with Us | 249 ↔ 494 | ~ |

E2 (resp. F2 et G2) = E1 (resp. F1 et G1) less 18cm

A perfect couple with the tipping trailers with controlled discharge

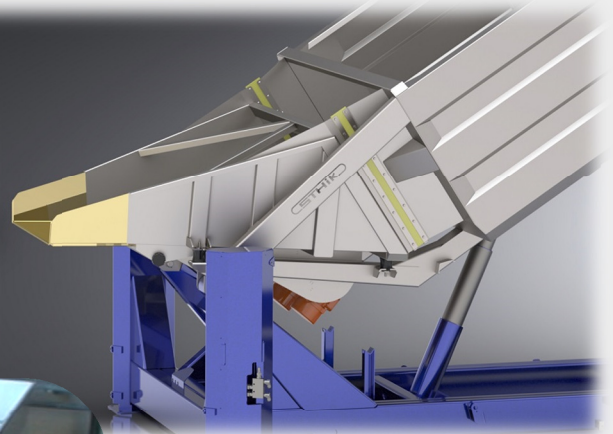


- ◆ Loading Heights
- ◆ No Lift Chassis required for the Trailers



Mains Options

Longer Vibrating Discharging Spout
Effective Grapes sorting directly on the Hopper



Height Extensions



Feet-Modification of the chassis



Hydraulic Power Packs with Remote Control

3 chassis : Non-Lifting (C.V.) - Semi-Lifting (C.SE.V.) - Lifting (C.E.V.)

C.V.



C.SE.V.



C.E.V.

